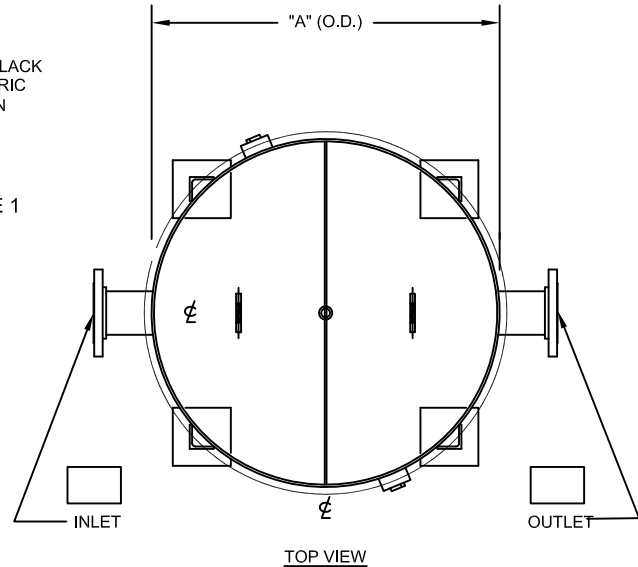
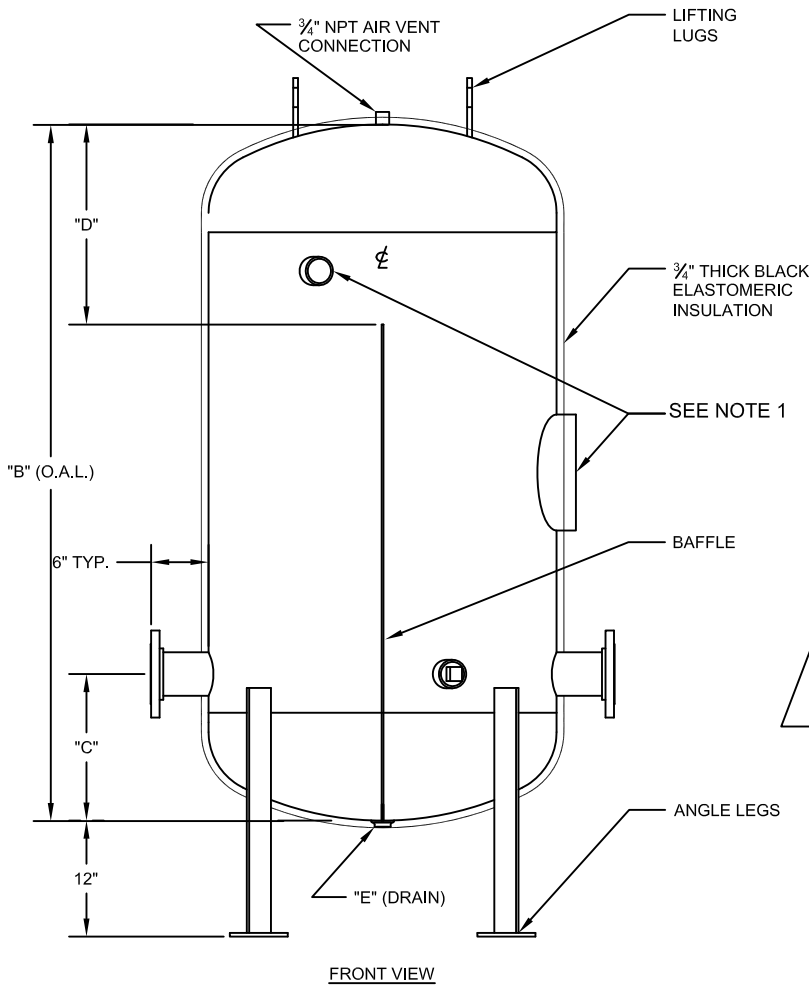


MODEL NUMBER	VOLUME GALLONS	OD A	OAL B	C	D	DRAIN
						1
CWV125024060	108	24	60	12	20	1
CWV125030060	166	30	60	14	24	1
CWV125030072	203	30	72	14	24	1
CWV125036072	286	36	72	16	24	1
CWV125036084	339	36	84	16	24	1
CWV125042084	452	42	84	18	30	1 1/2
CWV125042096	525	42	96	18	30	1 1/2
CWV125054096	869	54	96	22	32	1 1/2
CWV125060096	1064	60	96	24	32	1 1/2

DESIGN DATA	
DESIGN, FAB & STAMP	ASME B & PV CODE
DESIGN PRESSURE	P.S.I.G.
DESIGN TEMPERATURE	Deg F
CORROSION ALLOWANCE	NONE
RADIOGRAPHIC EXAM.	NONE
JOINT EFFICIENCY	85% HEADS & 70% SHELL
TEST PRESSURE	163 P.S.I.G.
MDMT	-20°F
MATERIAL SPECIFICATIONS	
HEADS (2:1 ELLIPTICAL)	
SHELL	SA-516-70
NOZZLE NECKS	SA-106-B
NOZZLE FLANGES	150 # RF50 SA-105
COUPLINGS	SA-105
TANK FLANGES	SA-105/SA-181-70
SUPPORTS	SA-36
MANWAY	SA-675-70 / SA-181-70 (IF REQ'D)

NOTES:

- 1) INSPECTION OPENINGS WILL BE INCLUDED AS REQUIRED BY CODE.
- 2) INLET & OUTLET NOZZLE LOCATIONS MAY VARY DEPENDING UPON SIZE.
- 3) RECO USA RESERVES THE RIGHT TO MAKE CHANGES TO OUR PRODUCTS WITHOUT NOTICE.



2	REVISED NOTE 1	KJS	5/7/09
1	REVISED DIM "C" ADDED NOTES	KJS	11/9/07
REV.	DESCRIPTION	BY	DATE
DRAWN:	KJS	DATE:	12-15-06
CHECKED:	KJS	DATE:	12-15-06
APPROVED:	KJS	DATE:	12-15-06

TITLE <b>VERTICAL CHILLED WATER BUFFER TANK</b>			
JOB NO.	DATE	DWG CWV_125	REV. 2